

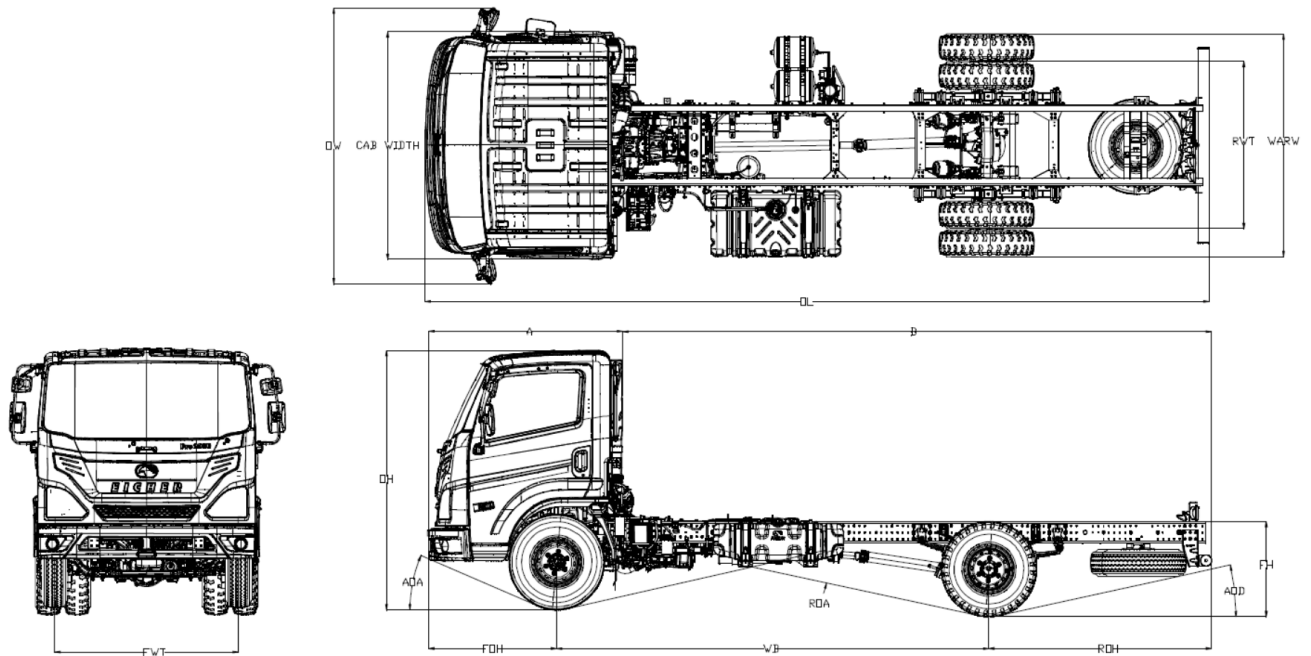
SPECIFICATIONS MANUAL

Model Name: Pro 2080 LHD



Images is subject to change

○ **CBC VARIANT:**



WB	FOH	ROH	FWT	RWT	CAB WIDTH	WARW	OL	OW	OH	AOA	ROA	AOD	FH	A	B
3975	1200	2045	1680	1545	2100	2055	7220	2545	2360	21°	23°	12°	875	1806	5414

○ **DIMENSIONS (mm)**

Overall	Length	7220
	Width	2545
	Height	2360
Track	Front	1680
	Rear	1545
Wheelbase		3975
Rear axle to frame		2045
Ground to roof		2360
Frame top to ground (CBC)		875
Min. ground clearance (Unalden CBC)		220

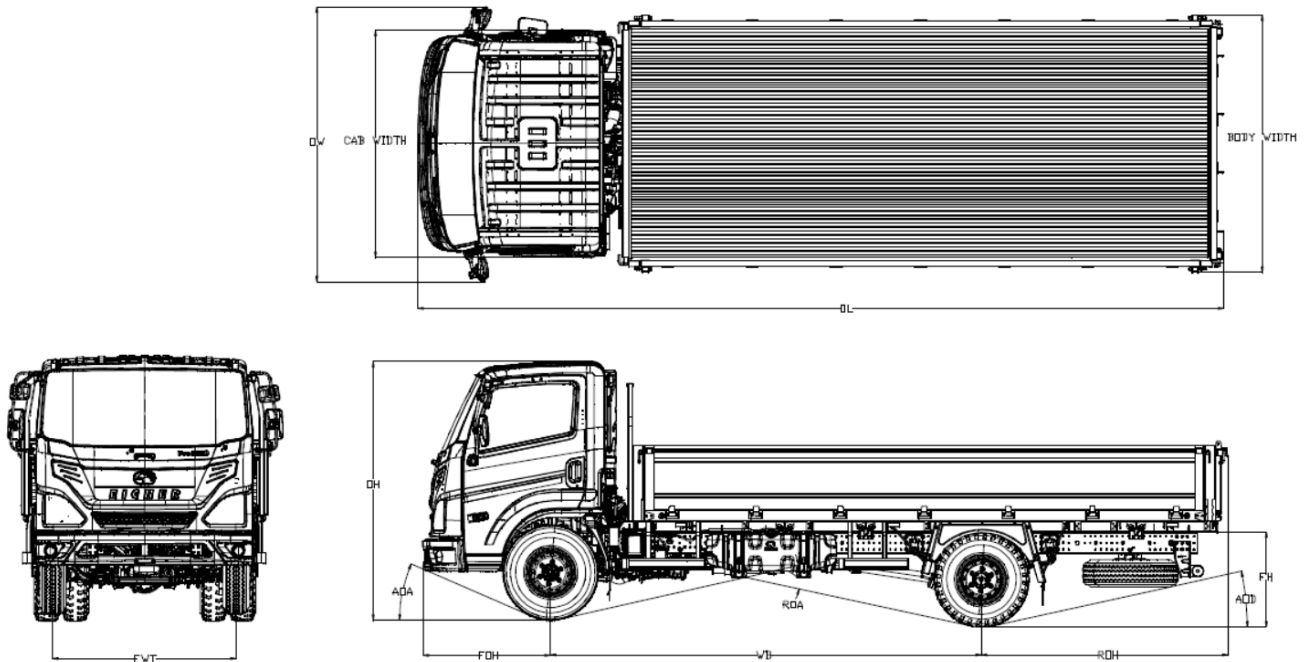
○ **WEIGHTS (kg)**

Unladen Weight	Front	1825
	Rear	1230
	Total	3055
Axle Load (Laden)	Front	2980
	Rear	5520
Permissible payload		-
Permissible G.V.W		8500

○ **Performance**

Max speed	(km/hr)	96
Max. Grade ability	(%)	31
Min. turning diameter	(m)	15.5

o **DSD VARIANT:**



WB	FOH	ROH	FWT	RWT	CAB WIDTH	OL	OW	OH	AOA	ROA	AOD	FH	BODY WIDTH
3975	1200	2260	1680	1545	2100	7435	2545	2360	21°	23°	12°	875	2385

o **DIMENSIONS (mm)**

Overall	Length	7435
	Width	2545
	Height	2360
Track	Front	1680
	Rear	1545
Wheelbase		3975
Rear axle to frame		2260
Ground to roof		2360
Frame top to ground (CBC)		875
Min. ground clearance (Unalden CBC)		220

o **WEIGHTS (kg)**

Unladen Weight	Front	1940
	Rear	1865
	Total	3805
Axle Load (Laden)	Front	2980
	Rear	5520
Permissible payload		4695
Permissible G.V.W		8500

o **Performance**

Max speed	(km/hr)	96
Max. Grade ability	(%)	31
Min. turning diameter	(m)	15.5

○ ENGINE	Manufacturer	VECV		
	Model	E483		
	Emission Certificate	EURO III		
	Type	4 Cylinder 2 Valve		
	Maximum power	115HP @ 2800rpm		
	Maximum torque	400Nm @1400 ~ 1600rpm		
	Cylinder Arrangement	4 cylinders in line, 1-3-4-2		
	Bore X Stroke	100 X 105 (mm)		
	Cylinder Capacity	3.298 L		
	Controller type	Mechanical		
Air Cleaner	RH Side Dry type Air Cleaner			
○ CLUTCH	Type	Push Type		
	Diameter	Ø 310		
○ TRANSMISSION	Model	ET35S6		
	Speed	6 forward/1 reverse		
	Gear Ratio	1 st	6.667	
		2 nd	3.56	
		3 rd	2.10	
		4 th	1.39	
		5 th	1	
6 th		0.83		
Reverse	5.94			
○ FRONT AXLE	Type	ETB Forged I Beam		
	Axle Capacity	3800 kgs		
○ REAR AXLE	Type	Fully floating banjo type axle		
	Final drive ratio	4.8		
○ TIRE & WHEEL (Standard)	Tire size	8.25 x 16 – 16PR		
	Disc Wheel size	6G X 16		
	No. of wheel studs	6		
○ FRAME	Type	Joggle Frame		
	Size	200 X 65 X 5		
	Towing Hook	Available at front		
○ STEERING	Handle Position	Left Hand Drive		
	Type	Hydraulic power steering, RANE		
	Steering Column	Tilt and Telescopic		
	Steering wheel	2-spoke wheel with horn button		

○ FRONT SUSPENSION	Type Size No. of leafs Shock Absorber	Semi Elliptical + Shock Abs 1180 x 70 9 leaf Double acting telescopic
○ REAR SUSPENSION	Type Size No. of leafs Shock Absorber	Semi Elliptical with Helper spring + Shock Absorber 1280 x 70mm Main – 8 nos, Helper – 9nos Double acting telescopic
○ BRAKE	Service brake Drum Size Parking Brake Auxiliary brake Air dryer	Dual circuit, Full Air S-Cam Front & rear – 325 X 140 mm Hand Operated Pneumatic Control Exhaust brake APDA
○ FUEL TANK	Volume Material Cap	190L Polymer with ROV Equipped key lock
○ ELECTRICAL SYSTEM	Battery Alternator Starter	12V -75Amp 12V 75A 12V
○ EXHAUST SYSTEM	Type	Mounted on frame side
○ CAB	Type Number of Seating Capacity Tilt Mechanism Seat Belt Head Storage Box	2m LHD Day Cab 3 Mechanical Driver 3 Point ELR Co-Driver 2 Point Lap belt NA
○ INSTRUMENTATION	Gauges and meters	Speed dial, Engine coolant Temperature gauge Fuel gauge RPM gauge,
○ SEAT	Driver Seat	Double Lock Slider type with dual density & Ultra Soft foam, Wider headrest

	Co-Driver Seat	Rigid type, with dual density & Ultra Soft foam, Wider headrest
○ WIPER	Type	2 blades, 3-speed wiper With electrical washer
○ GLASS & MIRROR	Windshield Door glass Outside mirror	Laminated safety glass Tempered safety glass Convex mirror
○ LAMP	Front Rear	Head Lamp, turn signal Lamp, Position lamp Position lamp, turn signal lamp Reverse lamp, License Plate lamp
○ TOOLS	Tools Jack Spare tire	Wrench rod, Handle Wheel nut, Tool Kit, Warning Triangle Hydraulic Jack 6T Mounted inside cabin Rear frame mounted STC
○ OTHERS	Music System Blower Rear Window Carpet	Standard Standard Fixed type PVC, Non molded type
