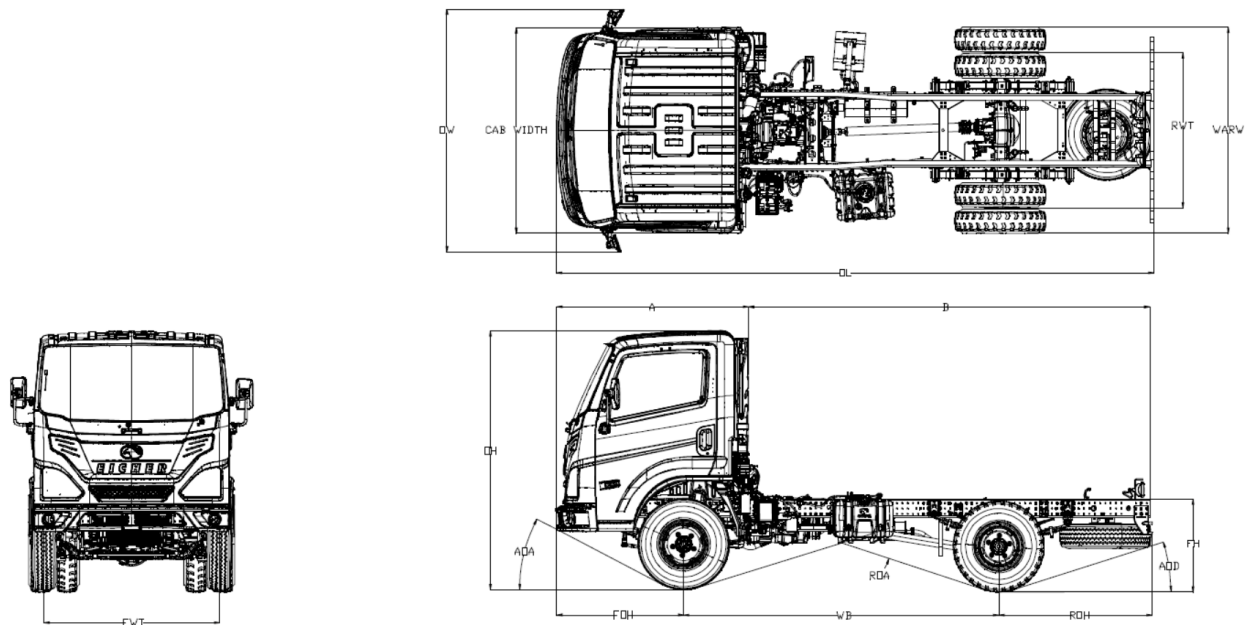


SPECIFICATIONS MANUAL

Model Name: Pro 2055 LHD



○ **CBC VARIANT (10FT):**



WB	FOH	ROH	FWT	RWT	WARW	CAB WIDTH	OL	OW	OH	AOA	ROA	AOD	FH	A	B
2670	1200	1380	1565	1455	1930	1920	5250	2270	2380	25°	36°	17°	835	1806	3444

○ **DIMENSIONS (mm)**

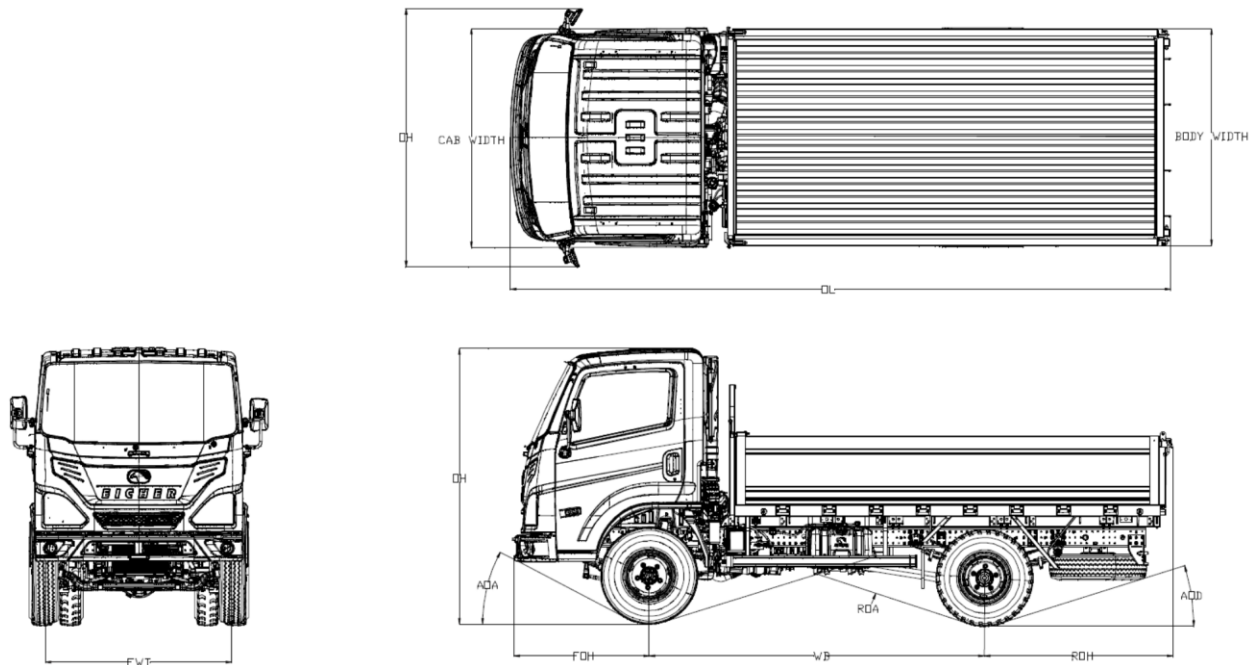
Overall	Length	5250
	Width	2270
	Height	2380
Track	Front	1565
	Rear	1455
Wheelbase		2670
Rear axle to frame		1380
Ground to roof		2380
Frame top to ground (CBC)		835
Min. ground clearance (Unladen CBC)		204

○ **WEIGHTS (kg)**

Unladen Weight	Front	1590
	Rear	950
	Total	2560
Axle Load (Laden)	Front	2465
	Rear	3785
Permissible payload		-
Permissible G.V.W		6250
Max speed	(km/hr)	101
Max. Grade ability	(%)	34
Min. turning Diameter	(m)	10.5

○ **Performance**

○ **DSD VARIANT (10FT):**



WB	FOH	ROH	FWT	RWT	BODY WIDTH	CAB WIDTH	OL	OW	OH	AOA	ROA	AOD	FH
2670	1200	1480	1565	1455	1905	1920	5350	2270	2380	25°	36°	17°	835

○ **DIMENSIONS (mm)**

Overall	Length	5350
	Width	2270
	Height	2380
Track	Front	1565
	Rear	1455
Wheelbase		2670
Rear axle to frame		1480
Ground to roof		2380
Frame top to ground (CBC)		835
Min. ground clearance (Unladen CBC)		204

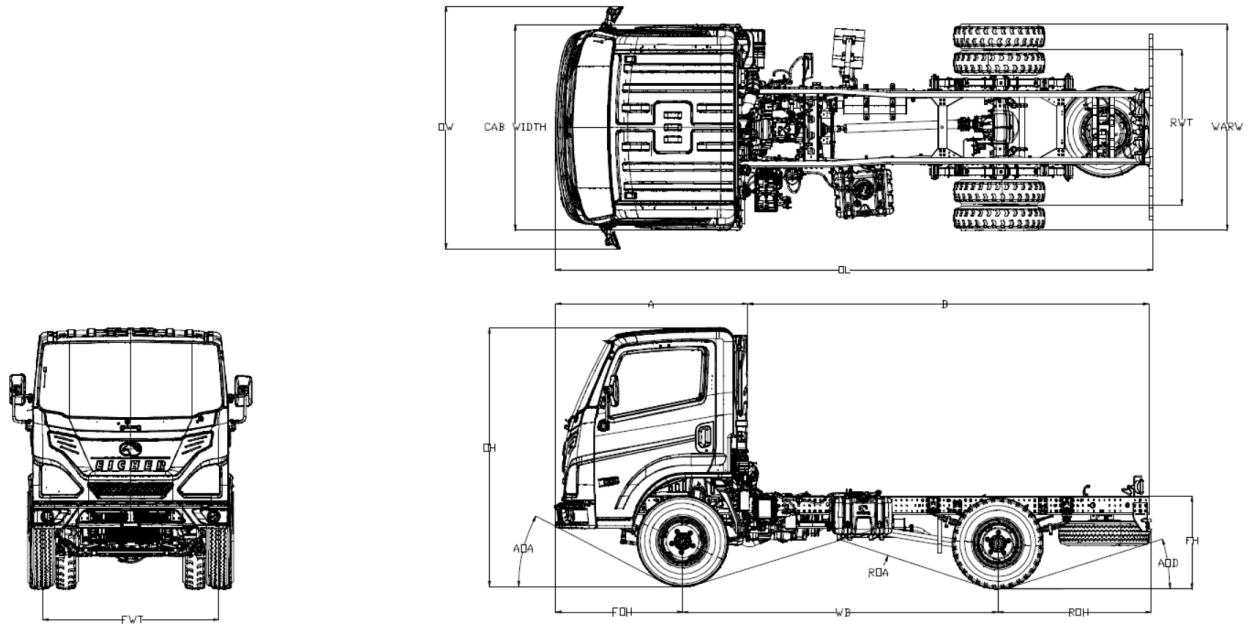
○ **WEIGHTS (kg)**

Unladen Weight	Front	1695
	Rear	1285
	Total	2980
Axle Load (Laden)	Front	2465
	Rear	3785

○ **Performance**

Permissible payload		3270
Permissible G.V.W		6250
Max speed	(km/hr)	101
Max. Grade ability	(%)	34
Min. turning diameter	(m)	10.5

○ **CBC VARIANT (12FT):**



WB	FOH	ROH	FWT	RWT	WARW	CAB WIDTH	OL	OW	OH	AOA	ROA	AOD	FH	A	B
2935	1200	1440	1565	1455	1930	1920	5575	2270	2380	25°	33°	16°	840	1806	3769

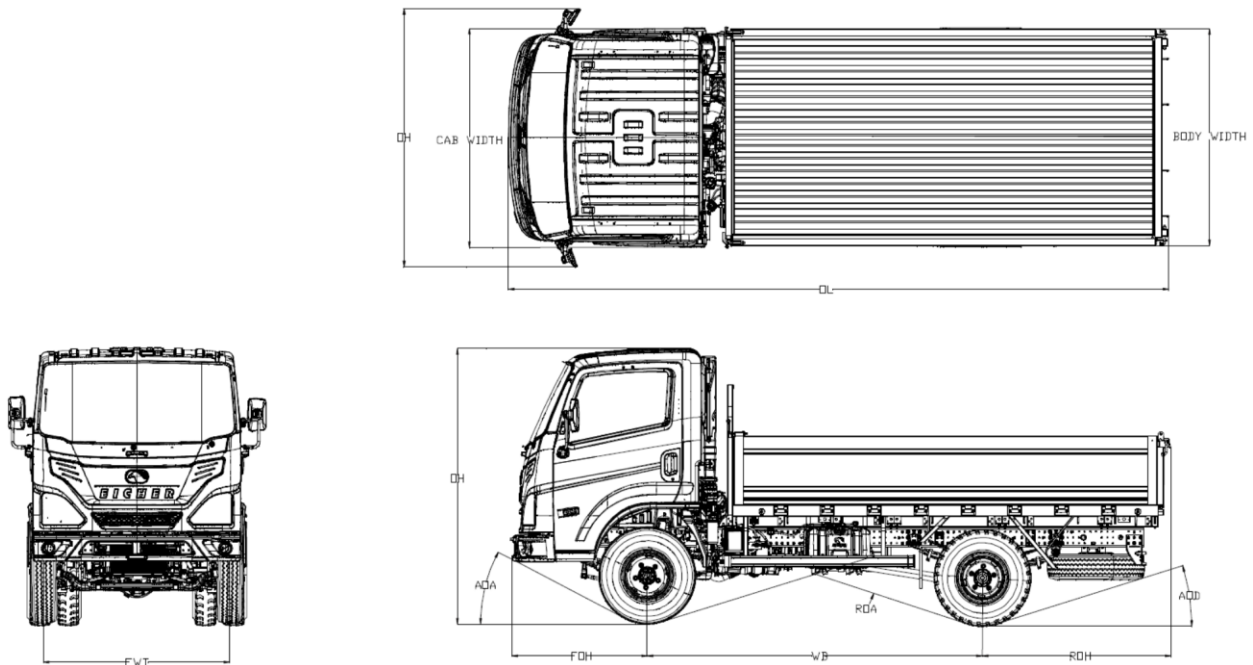
○ **DIMENSIONS (mm)**

Overall	Length	5575
	Width	2100
	Height	2380
Track	Front	1565
	Rear	1455
Wheelbase		2935
Rear axle to frame		1440
Ground to roof		2380
Frame top to ground (CBC)		840
Min. ground clearance (Unladen CBC)		204

○ **WEIGHTS (kg)**

Unladen Weight	Front	1595
	Rear	985
	Total	2580
Axle Load (Laden)	Front	2465
	Rear	3785
Permissible payload		-
Permissible G.V.W		6250
Performance	Max speed	(km/hr) 101
	Max. Grade ability	(%) 34
	Min. turning radius	(m) 11.5

○ **DSD VARIANT (12FT):**



WB	FOH	ROH	FWT	RWT	BODY WIDTH	CAB WIDTH	OL	OW	OH	AOA	ROA	AOD	FH
2935	1200	1645	1565	1455	1905	1920	5780	2270	2380	25°	36°	16°	840

○ **DIMENSIONS (mm)**

Overall	Length	5780
	Width	2100
	Height	2380
Track	Front	1565
	Rear	1455
Wheelbase		2935
Rear axle to frame		1645
Ground to roof		2380
Frame top to ground (CBC)		840
Min. ground clearance (Unladen CBC)		204

○ **WEIGHTS (kg)**

Unladen Weight	Front	1625
	Rear	1435
	Total	3060
Axle Load (Laden)	Front	2465
	Rear	3785

○ **Performance**

Permissible payload		3190
Permissible G.V.W		6250
Max speed	(km/hr)	101
Max. Grade ability	(%)	34
Min. turning radius	(m)	11.5

○ ENGINE	Manufacturer	VECV		
	Model	E483		
	Emission Certificate	EURO III		
	Type	4Cylinder 2Valve		
	Maximum power	95HP@3200rpm		
	Maximum torque	290Nm @ 1440rpm		
	Cylinder Arrangement	4 cylinders in line, 1-3-4-2		
	Bore X Stroke	100 X 105 (mm)		
	Cylinder Capacity	3.298 L		
	Controller type	Mechanical		
Air Cleaner	RH Side Dry type Air Cleaner			
○ CLUTCH	Type	Push Type		
	Diameter	Ø 275 mm		
○ TRANSMISSION	Model	ET30S5		
	Speed	5 forward/1 reverse		
	Gear Ratio	1 st	6.568	
		2 nd	3.815	
		3 rd	2.332	
		4 th	1.496	
		5 th	1	
Reverse	6.288			
○ FRONT AXLE	Type	ETB Forged I Beam		
	Axle Capacity	2400 kg		
○ REAR AXLE	Type	Fully floating banjo type axle		
	Final drive ratio	4.7		
○ TIRE & WHEEL (Standard)	Tire size	7.5 x 16 – 16PR		
	Disc Wheel size	6G X 16		
	No. of wheel studs	5		
○ FRAME	Type	Joggle frame		
	Size	172 X 60 X 5		
	Towing Hook	Available at front		
○ STEERING	Handle Position	Left Hand Drive		
	Type	Hydraulic power steering, Rane		
	Steering Column	Tilt and Telescopic		
	Steering wheel	2-spoke wheel with horn button		

○ FRONT SUSPENSION	Type Size No. of leafs Shock Absorber	Semi Elliptical Spring with ARB 1120 x 70 8 leafs Double acting telescopic
○ REAR SUSPENSION	Type Size No. of leafs Shock Absorber	Semi Elliptical Spring 1280 x 70mm Main -9 nos, Helper -7nos Double acting telescopic
○ BRAKE	Service brake Drum Size Parking Brake Auxiliary brake Air dryer	Dual circuit, Hydraulic Drum Front & Rear – 320 X 110mm Hand Operated Internal Expanding Type at rear of TM (220 DIA) Exhaust brake NA
○ FUEL TANK	Volume Material Cap	60L Polymer with ROV Equipped key lock
○ ELECTRICAL SYSTEM	Battery Alternator Starter	12V -75Amp 12V 75A 12V
○ EXHAUST SYSTEM	Type	Mounted on RH side of Chassis
○ CAB	Type Seating Capacity Tilt Mechanism Seat Belt	1.8m LHD Day Cab 3 Mechanical Driver 3 Point ELR Co-Driver 2 Point Lap belt
○ INSTRUMENTATION	Gauges and meters	Speed dial, Engine coolant Temperature gauge Fuel gauge RPM gauge,
○ SEAT	Driver Seat	Double Lock Slider type, 4 way Adjustable with dual density & Ultra Soft foam, wider headrest

	Co-Driver Seat	Rigid type, with dual density & Ultra Soft foam, Wider headrest
○ WIPER	Type	2 blades, 3-speed wiper With electrical washer
○ GLASS & MIRROR	Windshield Door glass Outside mirror	Laminated safety glass Tempered safety glass Convex mirror
○ LAMP	Front Rear	Head Lamp, turn signal Lamp, Position lamp Position lamp, turn signal lamp Reverse lamp, License Plate lamp
○ TOOLS	Tools Jack Spare tire	Wrench rod, Handle Wheel nut, Tool Kit, Warning Tringle, Handle cranking rod Hydraulic Jack 4T Mounted inside cabin Rear frame Mounted STC
○ OTHERS	Music System Blower Rear Window Carpet	Standard Standard Fixed type PVC, Non molded type
