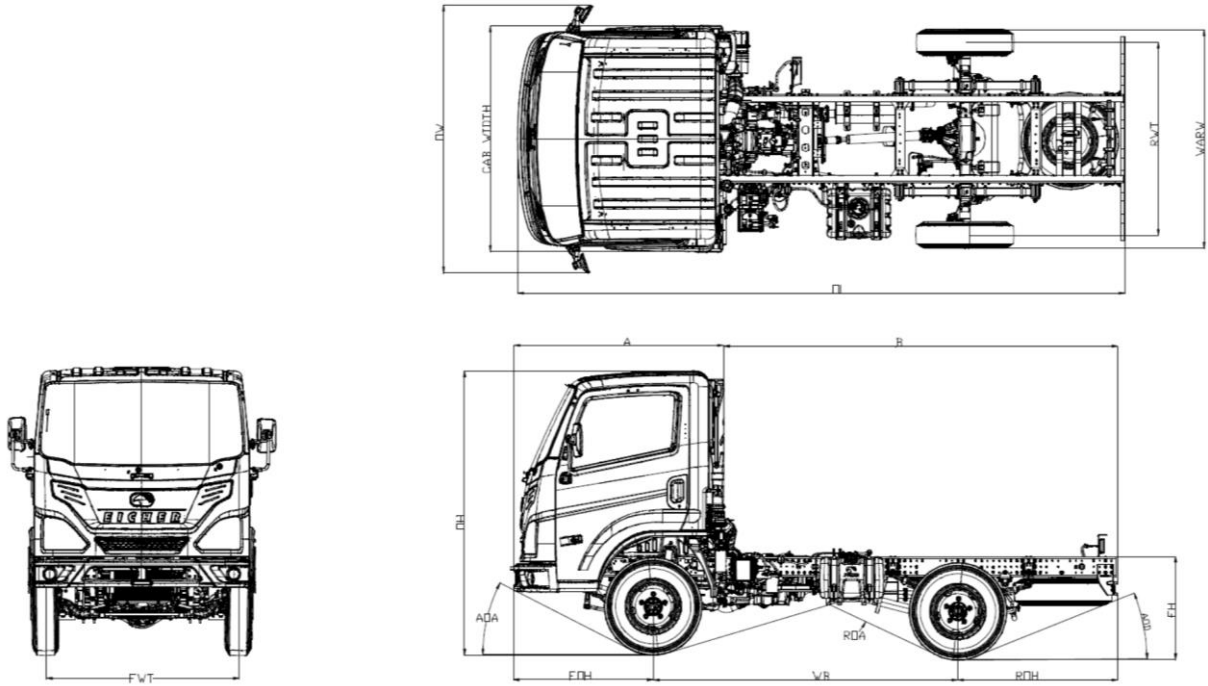


SPECIFICATIONS MANUAL

Model Name: Pro 2049 LHD



○ **CBC VARIANT:**



WB	FOH	ROH	FWT	RWT	CAB WIDTH	OL	OW	OH	AOA	ROA	AOD	FH	WARW	A	B
2580	1200	1345	1635	1630	1920	5125	2270	2345	23°	36°	19°	810	1860	1806	3319

○ **DIMENSIONS (mm)**

Overall	Length	5125
	Width	1920
	Height	2345
Track	Front	1635
	Rear	1630
Wheelbase		2580
Rear axle to frame		1345
Ground to roof		2345
Frame top to ground (CBC)		810
Min. ground clearance (Unladen CBC)		160

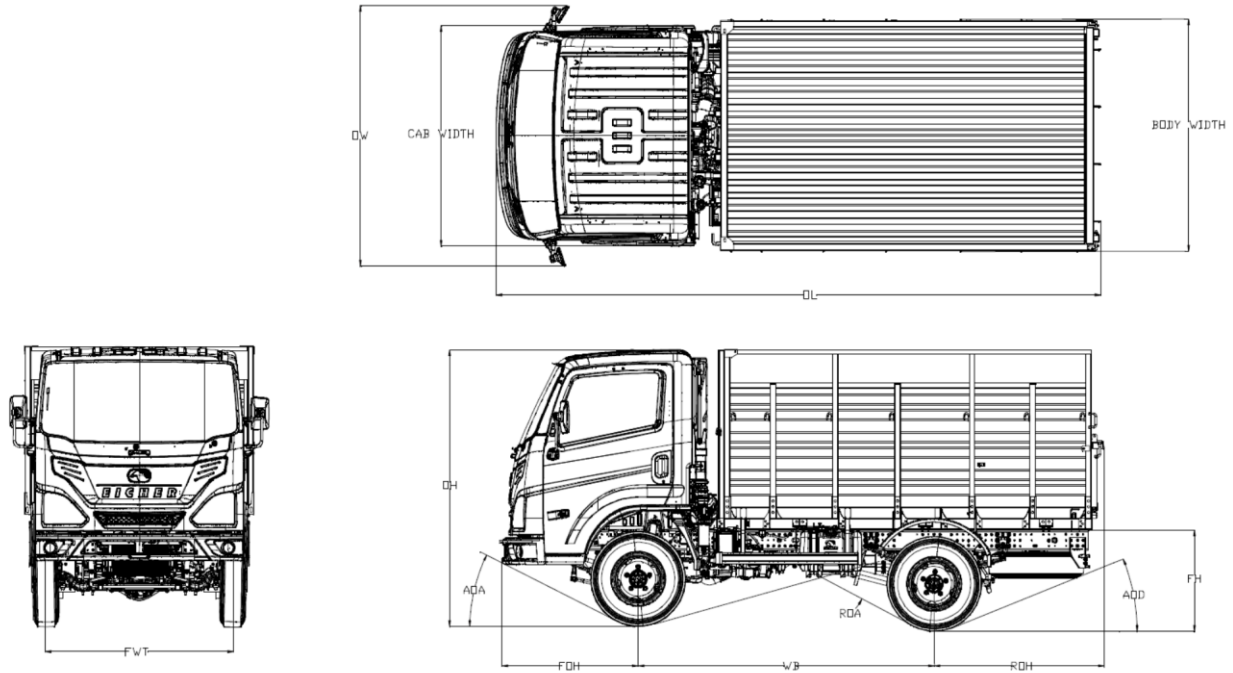
○ **WEIGHTS (kg)**

Unladen Weight	Front	1450
	Rear	685
	Total	2135
Axle Load (Laden)	Front	2135
	Rear	2860
Permissible payload		-
Permissible G.V.W		4995

○ **Performance**

Max speed	(km/hr)	120
Max. Grade ability	(%)	34
Min. turning diameter	(m)	10.3

○ SHSD VARIANT (10FT) :



WB	FOH	ROH	FWT	RWT	BODY WIDTH	CAB WIDTH	OL	OW	OH	AOA	ROA	AOD	FH
2580	1200	1460	1635	1630	2005	1920	5240	2270	2345	23°	36°	19°	810

○ DIMENSIONS (mm)

Overall	Length	5240
	Width	2005
	Height	2345
Track	Front	1635
	Rear	1630
Wheelbase		2580
Rear axle to frame		1460
Ground to roof		2345
Frame top to ground (CBC)		810
Min. ground clearance (Unladen CBC)		160

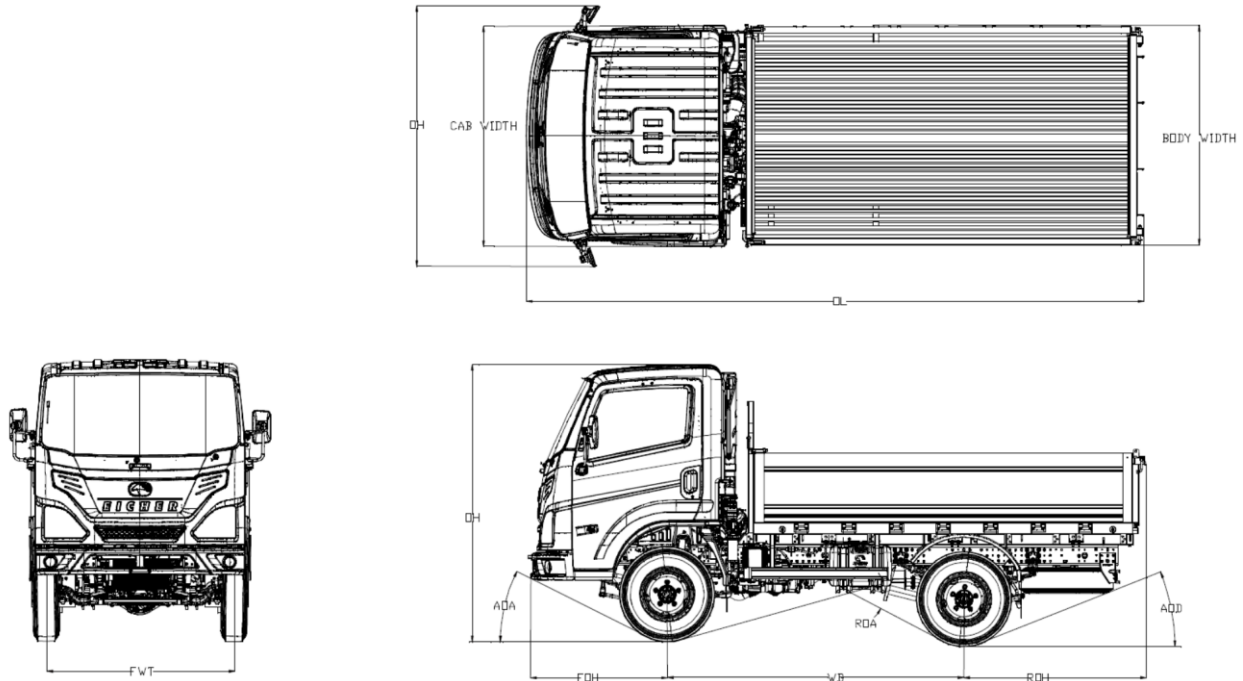
○ WEIGHTS (kg)

Unladen Weight	Front	1548
	Rear	997
	Total	2545
Axle Load (Laden)	Front	2135
	Rear	2860
Permissible payload		2450
Permissible G.V.W		4995

○ Performance

Max speed	(km/hr)	120
Max. Grade ability	(%)	34
Min. turning diameter	(m)	10.3

○ **DSD VARIANT (10FT) :**



WB	FOH	ROH	FWT	RWT	BODY WIDTH	CAB WIDTH	OL	OW	OH	AOA	ROA	AOD	FH
2580	1200	1560	1635	1630	1905	1920	5340	2270	2345	23°	36°	19°	810

○ **DIMENSIONS (mm)**

Overall	Length	5340
	Width	1905
	Height	2345
Track	Front	1635
	Rear	1630
Wheelbase		2580
Rear axle to frame		1560
Ground to roof		2345
Frame top to ground (CBC)		810
Min. ground clearance (Unladen CBC)		160

○ **WEIGHTS (kg)**

Unladen Weight	Front	1548
	Rear	997
	Total	2545
Axle Load (Laden)	Front	2135
	Rear	2860
Permissible payload		2450
Permissible G.V.W		4995

○ **Performance**

Max speed	(km/hr)	120
Max. Grade ability	(%)	34
Min. turning diameter	(m)	10.3

○ ENGINE	Manufacturer	VECV	
	Model	E483	
	Emission Certificate	EURO III	
	Type	4 Cylinder 2 Valve	
	Maximum power	94HP @ 3200rpm	
	Maximum torque	290Nm @ 1440rpm	
	Cylinder Arrangement	4 cylinders in line, 1-3-4-2	
	Bore X Stroke	100 X 105 (mm)	
	Cylinder Capacity	3.298 L	
	Controller type	Mechanical	
Air Cleaner	RH Side Dry type Air Cleaner		
○ CLUTCH	Type	Push Type	
	Diameter	Ø 275 mm	
○ TRANSMISSION	Model	ET30S5	
	Speed	5 forward/1 reverse	
	Gear Ratio	1 st	6.568
		2 nd	3.815
		3 rd	2.332
		4 th	1.496
		5 th	1
Reverse	6.288		
○ FRONT AXLE	Type	ETB Forged I Beam	
	Axle Capacity	2400 kg	
○ REAR AXLE	Type	Fully floating banjo type axle	
	Final drive ratio	3.46	
○ TIRE & WHEEL (Standard)	Tire size	225/75 R16	
	Disc Wheel size	6J X 16	
	No. of wheel studs	5	
○ FRAME	Type	Straight frame	
	Size	172 X 60 X 5	
	Towing Hook	Available at front	
○ STEERING	Handle Position	Left Hand Drive	
	Type	Hydraulic power steering, ZF	
	Steering Column	Tilt and Telescopic	
	Steering wheel	2-spoke wheel with horn button	

○ FRONT SUSPENSION	Type Size No. of leafs Shock Absorber	Semi Elliptical Spring with ARB 1150 x 70 7 leafs Double acting telescopic
○ REAR SUSPENSION	Type Size No. of leafs Shock Absorber	Semi Elliptical Spring with ARB 1180 x 70mm 11 leafs Double acting telescopic
○ BRAKE	Service brake Caliper Size Parking Brake Auxiliary brake Air dryer	Dual circuit, Hydraulic Disc Front C48+48 Rear C60 Hand Operated Internal Expanding Type at rear of TM (180 DIA) Exhaust brake NA
○ FUEL TANK	Volume Material Cap	60L Polymer with ROV Equipped key lock
○ ELECTRICAL SYSTEM	Battery Alternator Starter	12V - 75Amp 12V 75A 12V
○ EXHAUST SYSTEM	Type	Mounted on RH side of Chassis
○ CAB	Type Seating Capacity Tilt Mechanism Seat Belt	1.8m LHD Day Cab 3 Mechanical Driver 3 Point ELR Co-Driver 2 Point Lap belt
○ INSTRUMENTATION	Gauges and meters	Speed dial, Engine coolant Temperature gauge Fuel gauge RPM gauge,
○ SEAT	Driver Seat	Double Lock Slider type, 4 way Adjustable with dual density & Ultra Soft foam, wider headrest

o **SPECIFICATION**

Pro 2049 LHD

	Co-Driver Seat	Rigid type, with dual density & Ultra Soft foam, Wider headrest
o WIPER	Type	2 blades, 3-speed wiper With electrical washer
o GLASS & MIRROR	Windshield Door glass Outside mirror	Laminated safety glass Tempered safety glass Convex mirror
o LAMP	Front Rear	Head Lamp, turn signal Lamp, Position lamp Position lamp, turn signal lamp Reverse lamp, License Plate lamp
o TOOLS	Tools Jack Spare tire	Wrench rod, Handle Wheel nut, Tool Kit, Warning Tringle, Handle cranking rod Hydraulic Jack 4T Mounted inside cabin Rear frame Mounted STC
o OTHERS	Music System Blower Rear Window Carpet	Standard Standard Fixed type PVC, Non molded type
